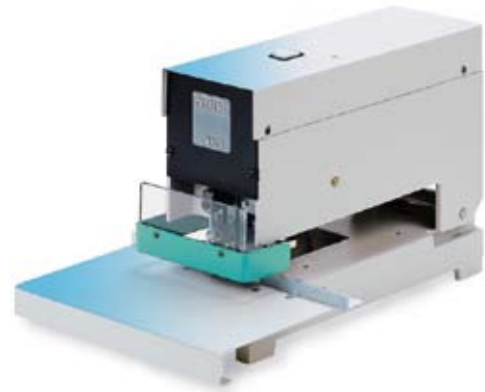


# Stapling

Flat and saddle stapling. Simple. Fast. Precise.

## Tack 18

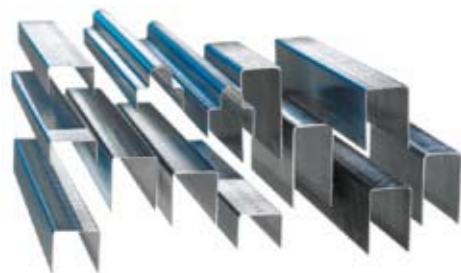
With its powerful electric motor and foot switch, the electric pad stapler Tak is designed specially for thick pads. Pads of up to 14 mm (140 sheets) can be stapled easily and precisely. The robust stapling head ensures a fast and reliable stapling of sophisticated material. The back stop is infinitely variable and permits a fast and flexible format change.



Nagel Tak 18

## Tak 18

Number of stapling heads	1
Pads up to approx.	140 sheets (80 gsm)
Staple length (mm)	6–18
Staple type	50
Throat depth (mm)	30
Power supply	230 V/50 Hz/120 W
Weight net/packed (kg)	25/26
H x W x D operational (cm)	32 x 34 x 53
H x W x D packed (cm)	43 x 31 x 48



Quality down to the smallest detail:  
Nagel staples

## Enak

The Enak 50-200 is especially suitable for manual pad stapling of smaller volumes. Its high-quality workmanship makes the stapler a reliable and durable tool. The Enak is designed for heavy duty and can staple pads of up to 17 mm (170 sheets). Different materials like paper, cardboard, leather, textiles and synthetic materials can be processed without any problems.

## Enak

Number of stapling heads	1
Pads up to approx.	170 sheets (80 gsm)
Staple length (mm)	6–20
Staple type	50
Throat depth (mm)	130
Weight net/packed (kg)	8/9
H x W x D operational (cm)	38 x 31 x 40
H x W x D packed (cm)	23 x 15 x 38



Nagel Enak

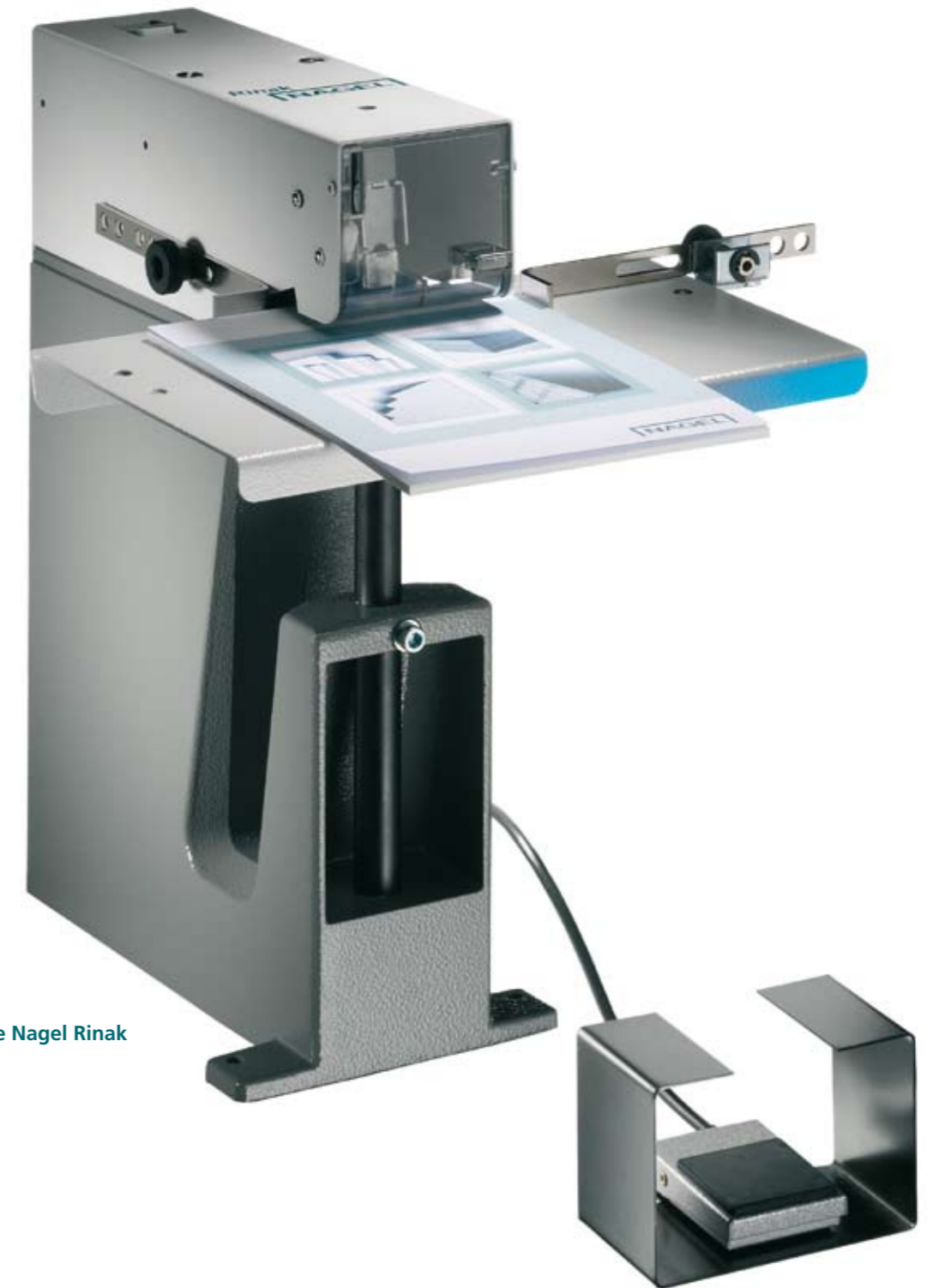
**NAGEL**

Ernst Nagel GmbH  
Breitwiesenstraße 21  
70565 Stuttgart/Germany

Phone: +49 711-7 80 78-21  
E-mail: [export@ernstnagel.com](mailto:export@ernstnagel.com)

[www.ernstnagel.com](http://www.ernstnagel.com)

Print No: 009.2.03/10 Technical specifications are subject to change without prior notice. Certified to CE.



Flat stapling with the Nagel Rinak

We create a professional impression

**NAGEL**

### Flexible stapling

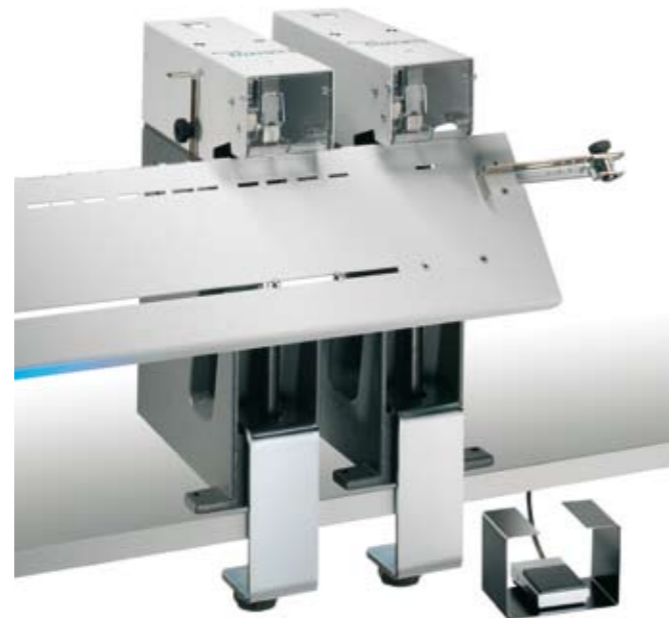
Nagel staplers leave nothing to be desired in daily office use. The staplers, both manual and electric, are robust and durable. Flat or saddle stapling, flat or loop staples, small or large volumes and changing formats – Nagel staplers stand out by their versatility.

### Rinak / Rinak Duo

The Rinak electric stapler is excellently suited for sophisticated stapling jobs in offices, schools, copy shops and printing houses. The simple handling and easy changeover from flat to saddle stapling are indispensable features for a device designed for multiple users. The Rinak produces perfect presentation material quickly and efficiently, even in small volumes.



**Nagel Rinak saddle stapling**



**Nagel Rinak Duo saddle stapling**

The Rinak Duo is the perfect choice for users who want to staple documents with two staples in one pass. The Rinak Duo consists of two combined Rinak staplers. The unit is very operator friendly and also uses loop staples to produce booklets that can be filed.

Users who are already working with a Rinak can extend this unit to a Rinak Duo at any time.



**Nagel Rinak on adjustable stand**

### Easy handling

Within seconds the feed table can be changed over from flat to saddle stapling. The variable paper stop ensures that the staples are spaced correctly (which is especially important when loop staples are used) and positioned precisely. The staple magazine can be opened at the front for an easy reloading of staples.

## Technical specifications

	Rinak	Rinak Duo
Number of stapling heads	1	2
Pads up to approx.	40 sheets (80 gsm)	40 sheets (80 gsm)
Booklets up to approx.	30 sheets (80 gsm)	30 sheets (80 gsm)
Staple length (mm)	6–8	6–8
Staple types	26/6, 26/8S, Ri 26/6	26/6, 26/8S, Ri 26/6
Capacity (number of staples)	210 staples	210 staples (per stapling head)
Throat depth in flat stapling mode (mm)	30	30
Saddle stapling	Up to A3 (folded)	Up to A3 (folded)
Min. distance between stapling heads (mm)		80
Max. distance between stapling heads (mm)		370
Table width (mm)	270	540
Power supply	230 V/50 Hz	230 V/50 Hz
Height adjustable stand (min. 72, max. 98 cm)	optional	–
Weight net/packed (kg)	7.5/8.5	16/18.5
H x W x D operational (cm)	36 x 27 x 37	36 x 54 x 37
H x W x D packed (cm)	31 x 44 x 44	62 x 44 x 54
Stand net/packed (kg)	11/13	–

– Not available

### Versatile use

- Saddle stapling up to DIN A4 booklet size and 30 sheets (equals 120 pages)
- Flat stapling up to 40 sheets
- Loop stapling without changeover (distance between staple loops exactly 80 mm for brochures that can be filed)
- Stapling power can be adjusted to thin and thick paper layers