

SEALING

- SEMI OR FULLY AUTOMATIC
- UNIFORM OR RANDOM CASE SIZES
- TOP AND BOTTOM SEALING
- SIDE OR VERTICAL SEALING
- ACCESSORIES



Case sealers for random case sizes

T-602 Fully automatic - Top and bottom closure

Automatic case size adjustment and flap closure. Together with SOCO SYSTEM controllers, complete feed-in control and maximum capacity is achieved.

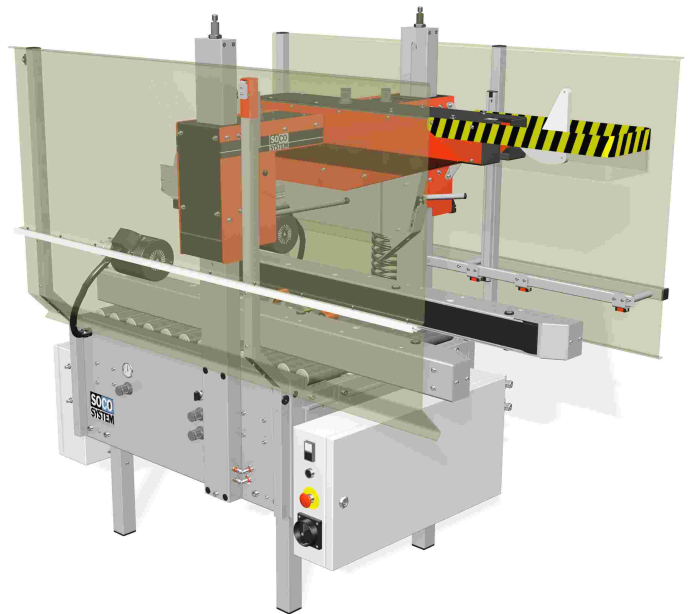
Basic models

T-602 and T-602 Maxi. An extensive programme of accessories is available for both models, e.g. extra high pillars.

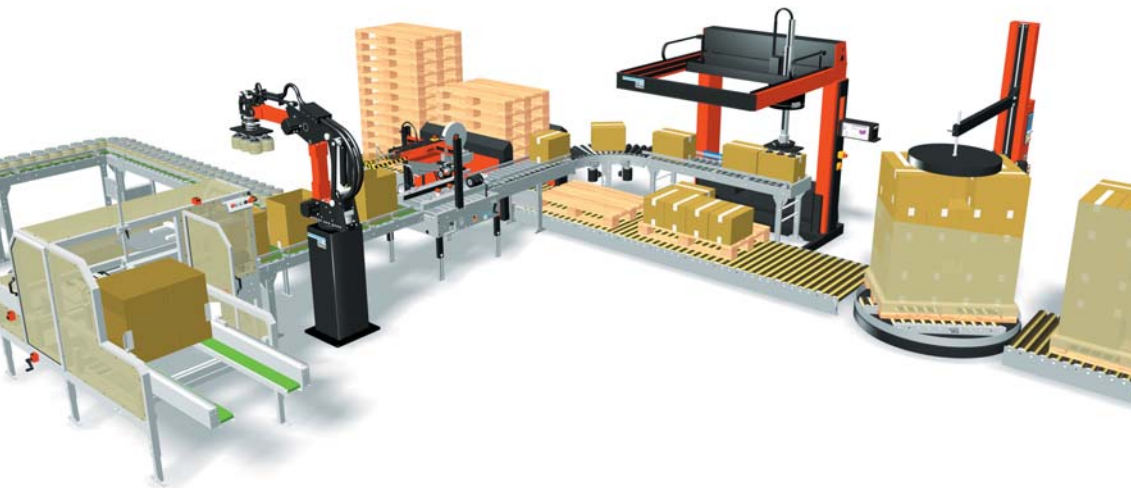
Smallest external dimensions on the market

The T-602 is a very compact machine with the smallest external dimensions in relation to its high capacity.

- Wide range of accessory equipment.
- Easy tape and dispenser replacement.
- Easy to maintain with low maintenance and spare parts costs.
- Electro-galvanised finish.



Specifications	T-602 5-5-8	T-602 5-8-8
Case dimensions*		
Max. (LxWxH) mm	600 x 460 x 475	600 x 460 x 765
Min. (LxWxH) mm	200 x 120 x 120	200 x 120 x 220
Tape overlap		
70 mm	●	●
50 mm	○	○
Tape width		
25 - 30 mm	○	○
38 - 50 mm	●	●
Side drives		
Height 50 mm	○	○
Height 80 mm	●	●
Working height max./min.		
920 - 820 mm	○	○
820 - 720 mm	●	●
720 - 620 mm	○	○
620 - 520 mm	○	○
520 - 420 mm	○	○
Weight kg	220	220
Capacity*	Max. 8 cases/min.	
Electric specifications	3 x 230/400 V, 50-60 Hz, or 3 x 415/460 V 50-60 Hz. Connected load 0.3 kW. Other specifications available upon request.	
Air consumption	5-5-8 max. 16.7 l at 6 bar per case, 5-8-8 max. 21.5 l at 6 bar per case.	
Tape diameter	Max. 385 mm.	
● Standard ○ Optional		
*Depending on the construction and quality of the case.		
Subject to alteration.		



The SOCO SYSTEM

From case erecting to pallet securing

The SOCO SYSTEM product range handles cases, plastic crates, trays, pallets, and many of your products.

The SOCO SYSTEM product range is designed to increase efficiency and eliminate physically strenuous work functions.

One system – one supplier

There are many advantages of full product compatibility; less paperwork and no time wasted in adapting products from different suppliers.

Meet your future requirements

Add modules and functionality, relocate modules, or whatever fits your future needs.

Call us, mail us, or visit us at www.socosystem.com



Your local SOCO SYSTEM dealer:

Arctec (Pty) Ltd.
P.O. Box 70636, Bryanston, 2021

11 Barbeque Terrace
Dytchley Road, Kyalami
Midrand, South Africa

S26° 00' 09.11" E28° 04' 22.18"

COPYRIGHT SOCO SYSTEM 2006



Head office:
SOCO SYSTEM A/S
Helgeshoej Allé 16D
DK-2630 Taastrup
Denmark
Tel +45 43 52 55 66
Fax +45 43 52 81 16
info@socosystem.com
www.socosystem.com



Geberit AG, Switzerland



Sig. Ágústsson, Iceland



Laru, Germany



Toms, Denmark



Rioja, Spain



Bouché Père & Fils, France



United Milk, England



Altmark Käserei, Germany